

*TECNICO, RAFFINATO,  
PER UN'ATMOSFERA  
MINIMALE*

TECHNICAL, REFINED,  
FOR ATMOSPHERE MINIMAL

TÉCNICA, REFINADO,  
PARA LA ATMÓSFERA MÍNIMO

L2



L2

STAINLESS STEEL AISI304

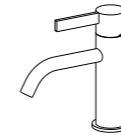
made in Italy

# ATMOSFERA

Prodotti abbinati con cura  
creano un'atmosfera emozionale.

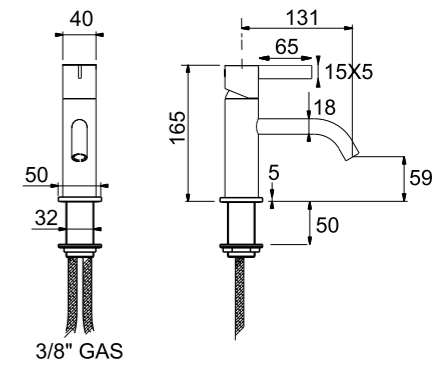
Products carefully matched create  
an emotional atmosphere.

Productos cuidadosamente emparejado  
crean una atmòsfera emocional.

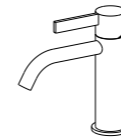


## L2 Miscelatore lavabo appoggio H 165 mm - con cartuccia tipo chiuso/bocca d.18 mm

Single lever basin mixer for top mounting H 165 mm  
Einhebelmischer H 165 mm  
Grifo monomando de sobremesa para lavabo H 165 mm  
Mitigeur pour lavabo sur plan H 165 mm

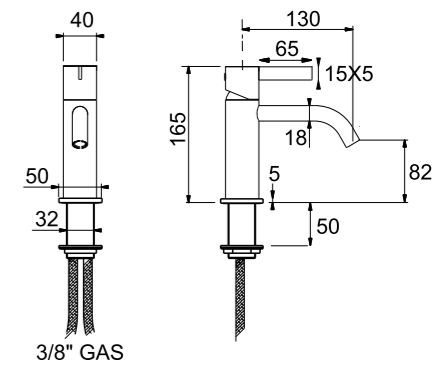


RA -rame/copper bronze GO -british gold GM -nero/gunmetal



## L2 Miscelatore lavabo appoggio H 165 mm - con cartuccia tipo aperto/bocca d.18 mm

Single lever basin mixer for top mounting H 165 mm  
Einhebelmischer H 165 mm  
Grifo monomando de sobremesa para lavabo H 165 mm  
Mitigeur pour lavabo sur plan H 165 mm

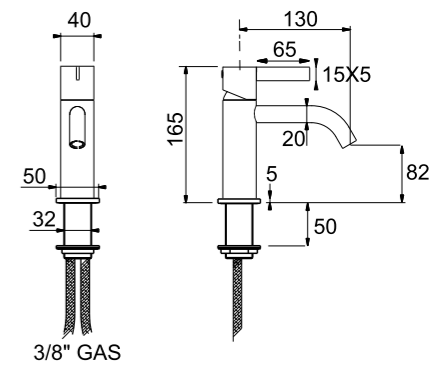


RA -rame/copper bronze GO -british gold GM -nero/gunmetal



## L2 Miscelatore lavabo appoggio H 165 mm - con cartuccia tipo aperto/bocca d.20 mm

Single lever basin mixer for top mounting H 165 mm  
Einhebelmischer H 165 mm  
Grifo monomando de sobremesa para lavabo H 165 mm  
Mitigeur pour lavabo sur plan H 165 mm

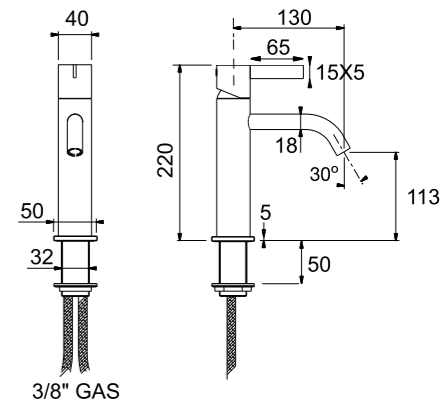


RA -rame/copper bronze GO -british gold GM -nero/gunmetal



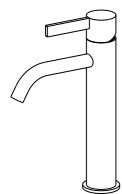
## L2 Miscelatore lavabo appoggio H 220 mm

Single lever basin mixer for top mounting H 220 mm  
Einhebelmischer H 220 mm  
Grifo monomando de sobremesa para lavabo H 220 mm  
Mitigeur pour lavabo sur plan H 220 mm

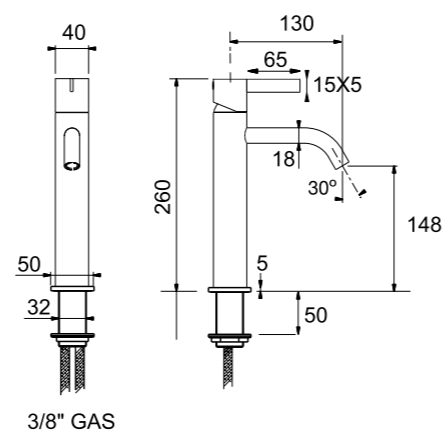


RA -rame/copper bronze GO -british gold GM -nero/gunmetal

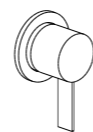
IT	DE	EN	F
SA = Satinato	SA = Satiniert	SA = Satin	SA = Satinée
LU = Lucido	LU = Glanzend	LU = Polished	LU = Poli
PVD = Colori speciali	PVD = Sonderfarben	PVD = Special colour	PVD = Couleurs spéciales



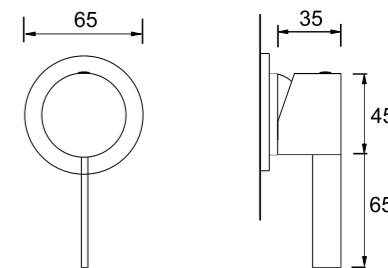
**L2**  
**Miscelatore lavabo appoggio H 260 mm**  
 Single lever basin mixer for top mounting H 260 mm  
 Einhebelmischer H 260 mm  
 Grifo monomando de sobremesa para lavabo H 260 mm  
 Mitigeur pour lavabo sur plan H 260 mm



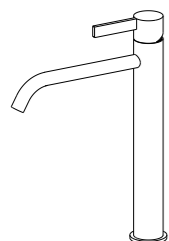
RA -rame/copper bronze GO -british gold GM -nero/gunmetal



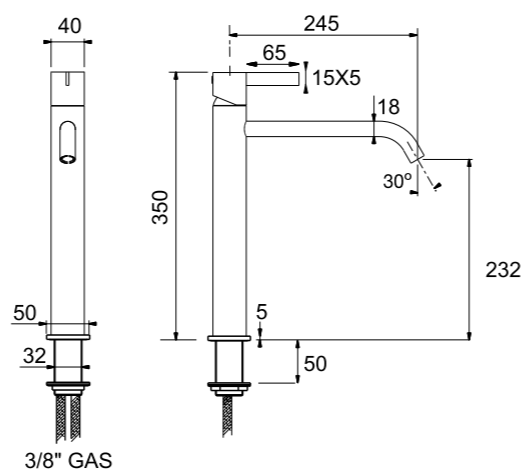
**L2**  
**Miscelatore lavabo/bidet incasso a parete «parte esterna»**  
 Single lever sink mixer basin-bidet outside part, concealed valve not included.  
 Wandmischer f. Waschbecken / Bidet  
 Grifo monomando de lavabo-bidet parte exterior. No incluye mecanismo empotrado.  
 Mitigeur pour lavabo - bidet partie extérieure, sans corps d'encastrement.



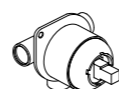
RA -rame/copper bronze GO -british gold GM -nero/gunmetal



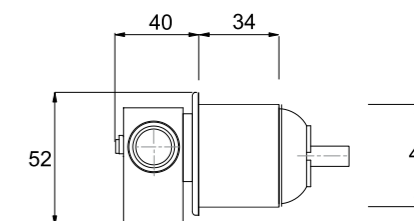
**L2**  
**Miscelatore lavabo appoggio H 350 mm**  
 Single lever basin mixer for top mounting H 350 mm  
 Einhebelmischer H 350 mm  
 Grifo monomando de sobremesa para lavabo H 350 mm  
 Mitigeur pour lavabo sur plan H 350 mm



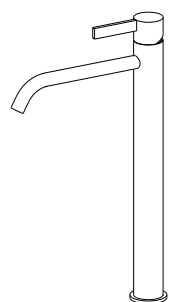
RA -rame/copper bronze GO -british gold GM -nero/gunmetal



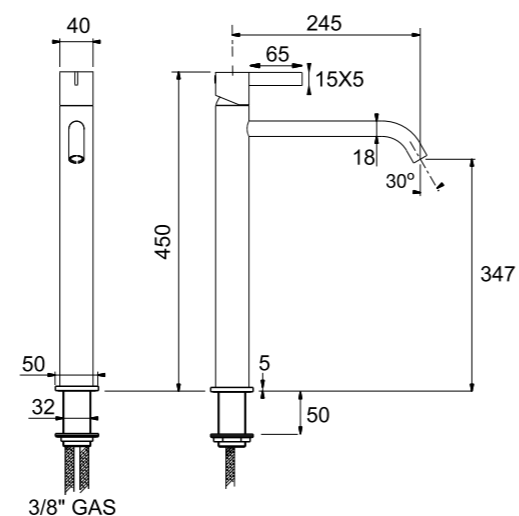
**L1-L2**  
**Corpo incasso per art. Co800 - L2-800**  
 Concealed valve for art. Co800 - L2-800  
 Unterputz-Einbauteil f. art. Co800 - L2-800  
 Mecanismo empotrado para art. Co800 - L2-800  
 Corps d'encastrement pour art. Co800 - L2-800



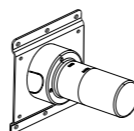
RA -rame/copper bronze GO -british gold GM -nero/gunmetal



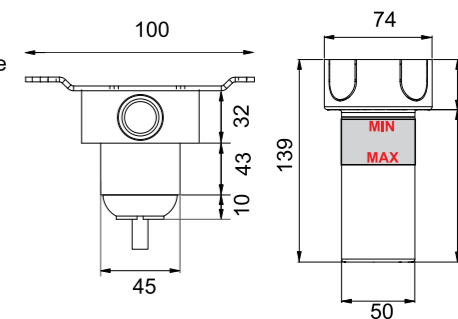
**L2**  
**Miscelatore lavabo appoggio H 450 mm**  
 Single lever basin mixer for top mounting H 450 mm  
 Einhebelmischer H 450 mm  
 Grifo monomando de sobremesa para lavabo H 450 mm  
 Mitigeur pour lavabo sur plan H 450 mm



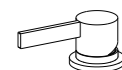
RA -rame/copper bronze GO -british gold GM -nero/gunmetal



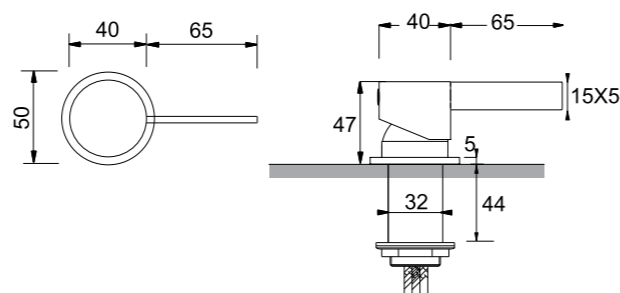
**L1-L2**  
**Corpo incasso per art. CO800 - L2-800 con staffa fissaggio**  
 Concealed valve for art. Co800 - L2-800 with fixing bracket  
 Unterputz-Einbauteil f. art. Co800 - L2-800 mit Befestigungsplatte  
 Mecanismo empotrado para art. Co800 - L2-800 con soporte de montaje  
 Corps d'encastrement pour art. CO800 - L2-800 avec support de montage



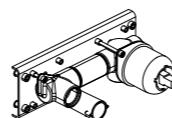
RA -rame/copper bronze GO -british gold GM -nero/gunmetal



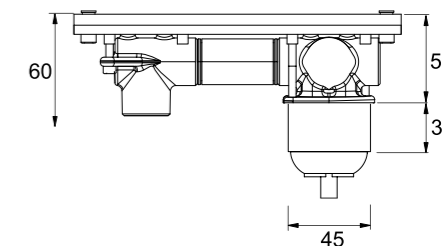
**L2**  
**Miscelatore lavabo appoggio comando remoto**  
 Deck mounted single lever basin mixer.  
 Einhebelmischer f. Standmontage - Durchfluss 20 l/Min.  
 Grifo monomando repisa.  
 Mitigeur lavabo sur plan avec support de commande à distance.



RA -rame/copper bronze GO -british gold GM -nero/gunmetal



**L1-L2**  
**Corpo incasso per art. Co800 - L2-800 e bocche lavabo a parete**  
 Concealed valve for art. Co800 - L2-800  
 Unterputz-Einbauteil f. art. Co800 - L2-800  
 Mecanismo empotrado para art. Co800 - L2-800  
 Corps d'encastrement pour art. Co800 - L2-800



RA -rame/copper bronze GO -british gold GM -nero/gunmetal

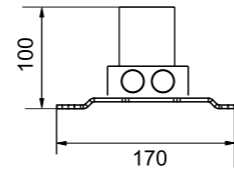
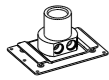
IT SA = Satinato LU = Lucido PVD = Colori speciali  
 DE SA = Satiniert LU = Glaenzend PVD = Sonderfarben  
 EN SA = Satin LU = Polished PVD = Special colour  
 F SA = Satinée LU = Poli PVD = Couleurs spéciales

IT SA = Satinato LU = Lucido PVD = Colori speciali  
 DE SA = Satiniert LU = Glaenzend PVD = Sonderfarben  
 EN SA = Satin LU = Polished PVD = Special colour  
 F SA = Satinée LU = Poli PVD = Couleurs spéciales

### L1-L2

#### Corpo incasso per Miscelatore lavabo/vasca da terra Freestanding

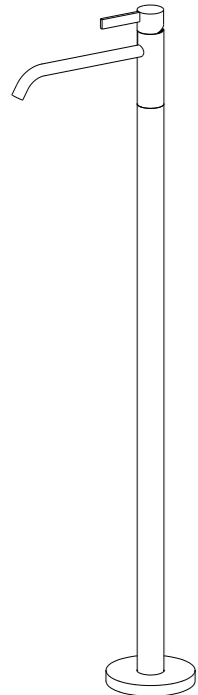
Concealed valve for art. CO105-511 - L2-105 - L2-511  
 Einbauteil zu Wannen-, Waschtischstandarmatur mit Befestigungsplatte art. CO105 CO510 L2-105 L2-511  
 Mecanismo empotrado para art. CO105 CO511 L2-105 L2-511  
 Corps d'encastrement pour art. CO105 CO511 L2-105 L2-511



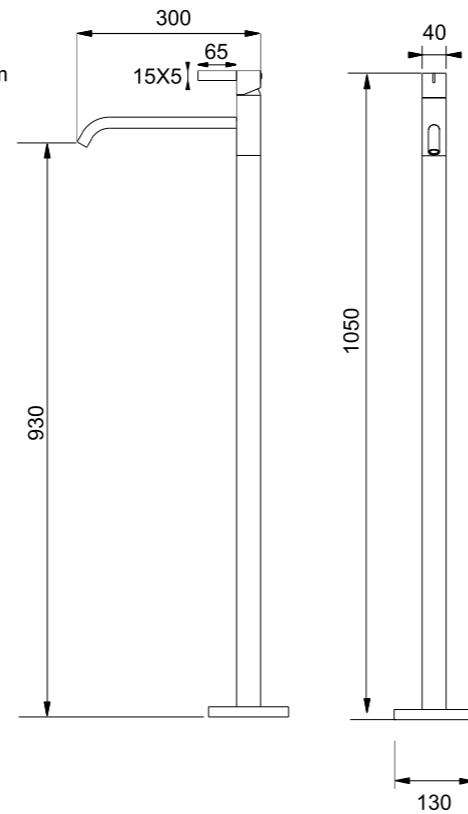
### L2

#### Miscelatore lavabo da terra Freestanding

Freestanding single lever sink mixer, concealed valve not included.  
 Standarmatur fuer Waschtisch oder Bdewanne - freistehend - H 1060 mm  
 Monomando a suelo para lavabo, no incluye mecanismo empotrado.  
 Mitigeur pour lavabo à poser au sol sans corps d'encastrement.



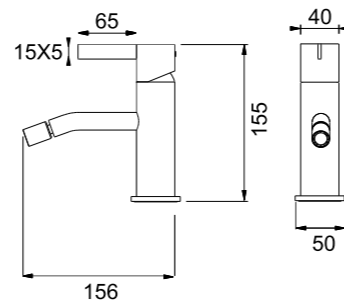
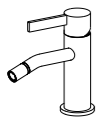
RA -rame/copper bronze GO -british gold GM -nero/gunmetal



### L2

#### Miscelatore bidet appoggio c/snodo H 155 mm

Single lever mixer for bidet H 155  
 Einhebelmischer mit beweglichem Auslauf f. Bidet H 155 mm  
 Grifo monomando para bidé H 155 mm  
 Mitigeur pour bidet orientable H 155 mm

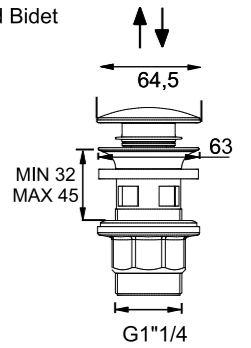
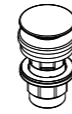


RA -rame/copper bronze GO -british gold GM -nero/gunmetal

### COMPLEMENTS

#### Piletta chiusura a pressione in ABS con rivestimento coperchio in acciaio inox

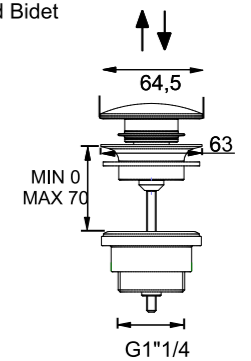
Drain pipe fitting with pressure plug in ABS finished in stainless steel.  
 Push-Up Ablaufgarnitur aus ABS (Edelstahloptik oder Hockglanzchrom-Optik) f. Waschbecken und Bidet  
 Válvula de desague a presión klik-clak en ABS, acabado en cromo brillo o acero satinato  
 Raccord complet avec vidage à pression klik-clak en ABS chromé brillant ou acier satiné



### COMPLEMENTS

#### Piletta chiusura a pressione in ABS con rivestimento coperchio in acciaio inox

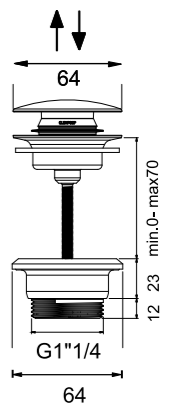
Drain pipe fitting with pressure plug in ABS finished in stainless steel.  
 Push-Up Ablaufgarnitur aus ABS (Edelstahloptik oder Hockglanzchrom-Optik) f. Waschbecken und Bidet  
 Válvula de desague a presión klik-clak en ABS, acabado en cromo brillo o acero satinato  
 Raccord complet avec vidage à pression klik-clak en ABS chromé brillant ou acier satiné



### COMPLEMENTS

#### Piletta chiusura a pressione totalmente in acciaio inox

Drain pipe fitting with pressure plug in stainless steel.  
 Ablaufventil mit Klickverschluss für Waschbecken und Bidet. Stöpsel und Körper aus Edelstahl AISI 316.  
 Válvula de desague a presión klik-clak en acero.  
 Raccord complet avec vidage à pression klik-clak en acier.



RA -rame/copper bronze GO -british gold GM -nero/gunmetal

IT SA = Satinato LU = Lucido PVD = Colori speciali  
 DE SA = Satiniert LU = Glaenzend PVD = Sonderfarben  
 EN SA = Satin LU = Polished PVD = Special colour  
 F SA = Satinée LU = Poli PVD = Couleurs spéciales

IT SA = Satinato LU = Lucido PVD = Colori speciali  
 DE SA = Satiniert LU = Glaenzend PVD = Sonderfarben  
 EN SA = Satin LU = Polished PVD = Special colour  
 F SA = Satinée LU = Poli PVD = Couleurs spéciales

## L2

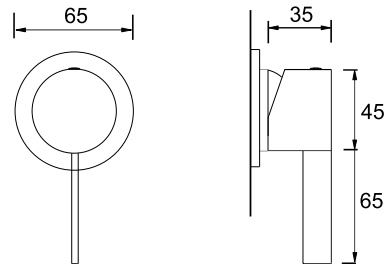
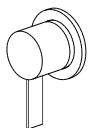
### Miscelatore doccia/vasca incasso a parete «parte esterna»

Single lever shower/tub mixer part only for wall encasing, concealed valve not included

Wandmischer f. Wannen

Grifo monomando de ducha para encastre a pared, no incluye mecanismo empotrado.

Mitigeur mural pour douche, sans corps d'encastrement.



RA -rame/copper bronze GO -british gold GM -nero/gunmetal

## L1-L2

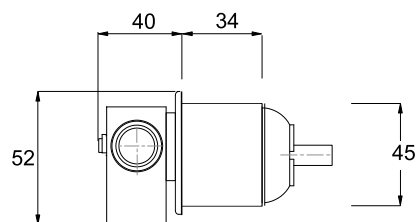
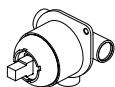
### Corpo incasso per art. Co810 - L2-810

Concealed valve for art. Co810 - L2-810

Unterputz-Einbauteil f. Art. Co810 - L2-810

Mecanismo empotrado para art. Co810 - L2-810

Corps d'encastrement pour art. Co810 - L2-810



RA -rame/copper bronze GO -british gold GM -nero/gunmetal

## L1-L2

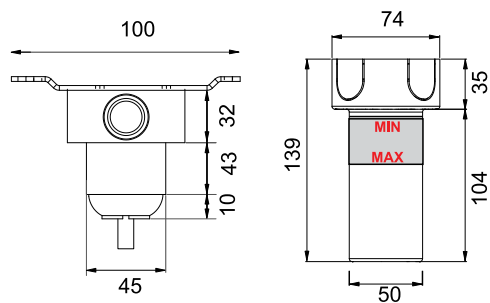
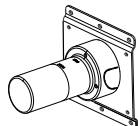
### Corpo incasso per art. CO810 - L2-810 c/staffa di fissaggio

Concealed valve for art. Co810 - L2-810

Unterputz-Einbauteil f. Art. Co810 - L2-810 mit Befestigungsplatte

Mecanismo empotrado para art. Co810 - L2-810

Corps d'encastrement pour art. Co810 - L2-810



RA -rame/copper bronze GO -british gold GM -nero/gunmetal

IT  
SA = Satinato  
LU = Lucido  
PVD = Colori speciali

DE  
SA = Satiniert  
LU = Glanzend  
PVD = Sonderfarben

EN  
SA = Satin  
LU = Polished  
PVD = Special colour

F  
SA = Satinée  
LU = Poli  
PVD = Couleurs spéciales