



waterfall



showerhead



accessories



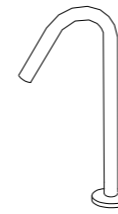
showerhand



flexible



outdoor



COMPLEMENTS

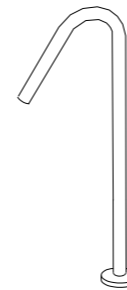
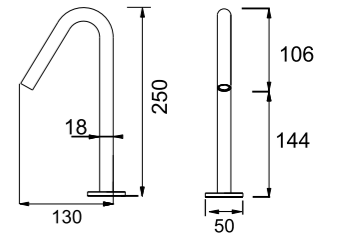
Bocca lavabo appoggio forma a cigno H 250 mm

Deck mounted swan-neck basin spout H 250 mm
Schwanenhalsfoermiger-Auslauf H 250 mm
Caño repisa en forma de cisne H 250 mm
Bouche lavabo soutien forme de cygne H 250 mm

PG134-SA
PG134-LU

PG134-S-PVD
PG134-L-PVD

RA -rame/copper bronze GO -british gold GM -nero/gunmetal



COMPLEMENTS

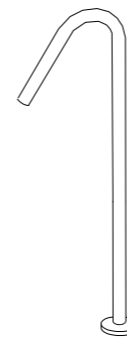
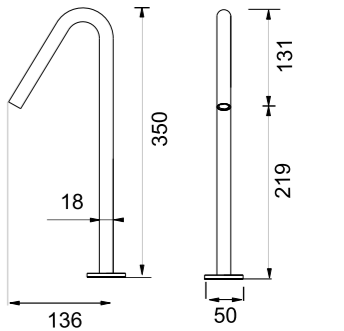
Bocca lavabo appoggio forma a cigno H 350 mm

Deck mounted swan-neck basin spout H 350 mm
Schwanenhalsfoermiger-Auslauf H 350 mm - Ausladung 136 mm
Caño repisa en forma de cisne H 350 mm
Bouche lavabo soutien forme de cygne H 350 mm

PG135-SA
PG135-LU

PG135-S-PVD
PG135-L-PVD

RA -rame/copper bronze GO -british gold GM -nero/gunmetal



COMPLEMENTS

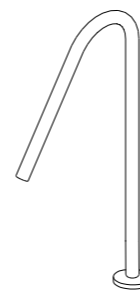
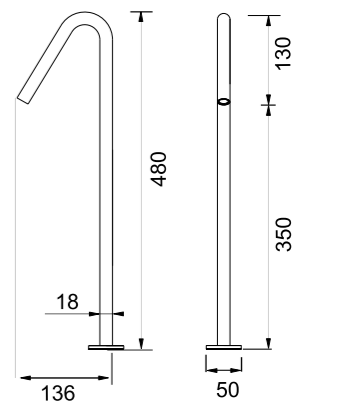
Bocca lavabo appoggio forma a cigno H 480 mm

Deck mounted swan-neck basin spout H 480 mm
Schwanenhalsfoermiger Auslauf H 480 mm - Ausladung 136 mm
Caño repisa en forma de cisne H 480 mm
Bouche lavabo soutien forme de cygne H 480 mm

PG136-SA
PG136-LU

PG136-S-PVD
PG136-L-PVD

RA -rame/copper bronze GO -british gold GM -nero/gunmetal



COMPLEMENTS

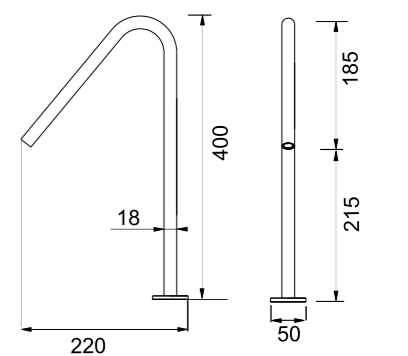
Bocca lavabo appoggio forma a cigno H 400 mm

Deck mounted swan-neck basin spout H 400 mm
Schwanenhalsfoermiger-Auslauf H 400 mm - Ausladung 220 mm
Caño repisa en forma de cisne H 400 mm
Bouche lavabo soutien forme de cygne H 400 mm

PG137-SA
PG137-LU

PG137-S-PVD
PG137-L-PVD

RA -rame/copper bronze GO -british gold GM -nero/gunmetal

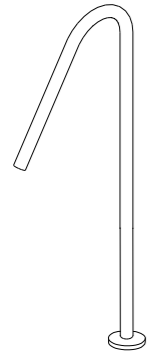


IT
SA = Satinato
LU = Lucido
PVD = Colori speciali

DE
SA = Satiniert
LU = Glaenzend
PVD = Sonderfarben

EN
SA = Satin
LU = Polished
PVD = Special colour

F
SA = Satinée
LU = Poli
PVD = Couleurs spéciales



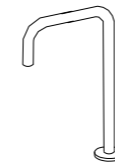
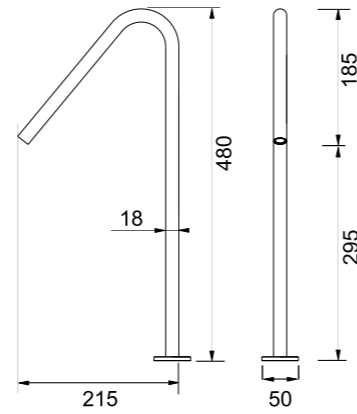
COMPLEMENTS

Bocca lavabo appoggio forma a cigno H 480 mm
 Deck mounted swan-neck basin spout H 480 mm
 Schwanenhalsfoermiger-Auslauf H 480 mm - Ausladung 220 mm
 Caño repisa en forma de cisne H 480 mm
 Bouche lavabo soutien forme de cygne H 480 mm

PG138-SA
 PG138-LU

PG138-S-PVD
 PG138-L-PVD

RA -rame/copper bronze **GO** -british gold **GM** -nero/gunmetal



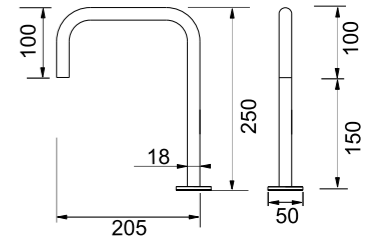
COMPLEMENTS

Bocca lavabo appoggio forma quadra H 250 mm
 Deck mounted square neck basin spout H 250 mm
 U-foermiger Auslauf H 250 mm
 Caño repisa en forma cuadrada H 250 mm
 Bouche lavabo soutien forme carrée H 250 mm

PG234-SA
 PG234-LU

PG234-S-PVD
 PG234-L-PVD

RA -rame/copper bronze **GO** -british gold **GM** -nero/gunmetal



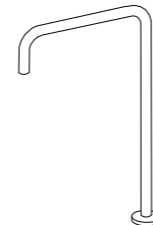
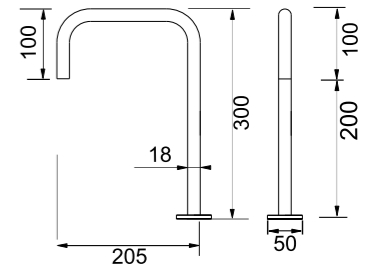
COMPLEMENTS

Bocca lavabo appoggio forma quadra H 300 mm
 Deck mounted square neck basin spout H 300 mm
 U-foermiger Auslauf H 300 mm - Ausladung 205 mm
 Caño repisa en forma cuadrada H 300 mm
 Bouche lavabo soutien forme carrée H 300 mm

PG235-SA
 PG235-LU

PG235-S-PVD
 PG235-L-PVD

RA -rame/copper bronze **GO** -british gold **GM** -nero/gunmetal



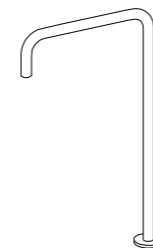
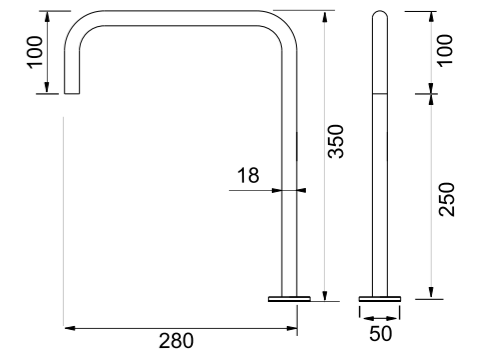
COMPLEMENTS

Bocca lavabo appoggio forma quadra H 350 mm
 Deck mounted square neck basin spout H 350 mm
 U-foermiger Auslauf H 350 mm - Ausladung 280 mm
 Caño repisa en forma cuadrada H 350 mm
 Bouche lavabo soutien forme carrée H 350 mm

PG236-SA
 PG236-LU

PG236-S-PVD
 PG236-L-PVD

RA -rame/copper bronze **GO** -british gold **GM** -nero/gunmetal



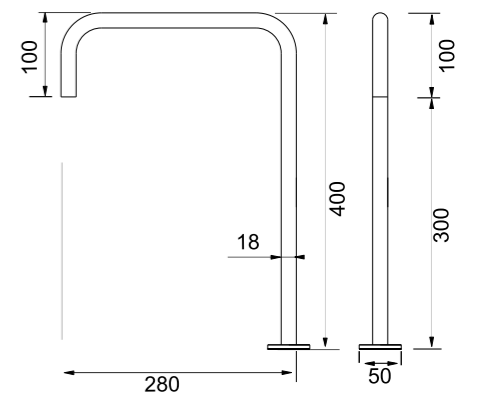
COMPLEMENTS

Bocca lavabo appoggio forma quadra H 400 mm
 Deck mounted square neck basin spout H 400 mm
 U-foermiger Auslauf H 400 mm - Ausladung 280 mm
 Caño repisa en forma cuadrada H 400 mm
 Bouche lavabo soutien forme carrée H 400 mm

PG237-SA
 PG237-LU

PG237-S-PVD
 PG237-L-PVD

RA -rame/copper bronze **GO** -british gold **GM** -nero/gunmetal



IT
 SA = Satinato
 LU = Lucido
 PVD = Colori speciali

DE
 SA = Satiniert
 LU = Glanzend
 PVD = Sonderfarben

EN
 SA = Satin
 LU = Polished
 PVD = Special colour

F
 SA = Satinée
 LU = Poli
 PVD = Couleurs spéciales

IT
 SA = Satinato
 LU = Lucido
 PVD = Colori speciali

DE
 SA = Satiniert
 LU = Glanzend
 PVD = Sonderfarben

EN
 SA = Satin
 LU = Polished
 PVD = Special colour

F
 SA = Satinée
 LU = Poli
 PVD = Couleurs spéciales

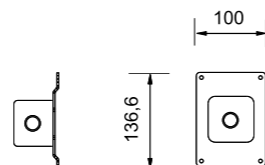
COMPLEMENTS

Corpo incasso bocche lavabo/bidet/vasca a parete

Concealed valve basin - bidet - tub for wall mount spout.
Unterputz-Einbauteil f. Wandauslauf mit Befestigungsplatte
Cuerpo empotrado caño de lavabo - bidé - bañera a pared
Corps encastré bouches lavabo - bidet - baignoire à mur



INC-210



COMPLEMENTS

Bocca lavabo incasso a parete P 130 mm

Wall mount sink spout, concealed valve not included P 130 mm.
Wandauslauf - Ausladung 130 mm
Caño a pared, cuerpo empotrado no incluido P 130 mm.
Bec encastré mural pour lavabo, sans corps d'encastrement P 130 mm.



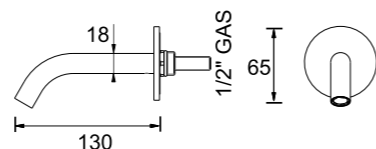
PG200/13-SA

PG200/13-LU

PG200/13-S-PVD

PG200/13-L-PVD

RA -rame/copper bronze GO -british gold GM -nero/gunmetal



COMPLEMENTS

Bocca lavabo incasso a parete P 160 mm

Wall mount sink spout, concealed valve not included P 160 mm.
Wandauslauf - Ausladung 160 mm
Caño a pared, cuerpo empotrado no incluido P 160 mm.
Bec encastré mural pour lavabo, sans corps d'encastrement P 160 mm.



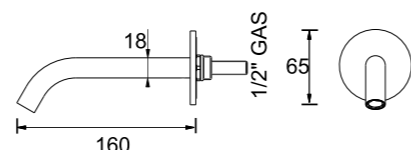
PG200/16-SA

PG200/16-LU

PG200/16-S-PVD

PG200/16-L-PVD

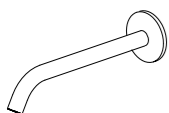
RA -rame/copper bronze GO -british gold GM -nero/gunmetal



COMPLEMENTS

Bocca lavabo incasso a parete P 200 mm

Wall mount sink spout, concealed valve not included P 200 mm.
Wandauslauf - Ausladung 200 mm
Caño a pared, cuerpo empotrado no incluido P 200 mm.
Bec encastré mural pour lavabo, sans corps d'encastrement P 200 mm.



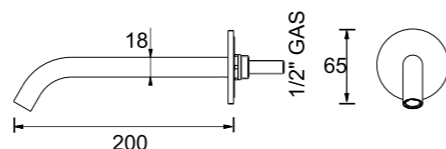
PG200/20-SA

PG200/20-LU

PG200/20-S-PVD

PG200/20-L-PVD

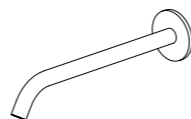
RA -rame/copper bronze GO -british gold GM -nero/gunmetal



COMPLEMENTS

Bocca lavabo incasso a parete P 250 mm

Wall mount sink spout, concealed valve not included P 250 mm.
Wandauslauf - Ausladung 250 mm
Caño a pared, cuerpo empotrado no incluido P 250 mm.
Bec encastré mural pour lavabo, sans corps d'encastrement P 250 mm.



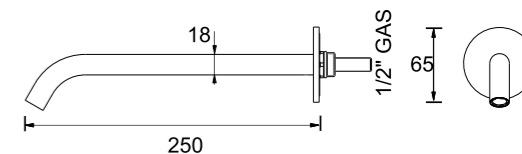
PG200/25-SA

PG200/25-LU

PG200/25-S-PVD

PG200/25-L-PVD

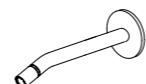
RA -rame/copper bronze GO -british gold GM -nero/gunmetal



COMPLEMENTS

Bocca a parete con erogazione orientabile P 175 mm

Wall mounted adjustable spout P 175 mm.
Wandauslauf - Ausladung 175 mm
Caño mural orientable P 175 mm.
Bec mural orientable P 175 mm.



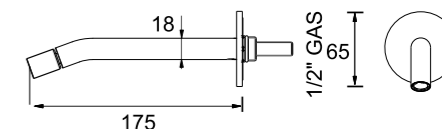
PG205-SA

PG205-LU

PG205-S-PVD

PG205-L-PVD

RA -rame/copper bronze GO -british gold GM -nero/gunmetal



COMPLEMENTS

Bocca erogazione orientabile da piano H 115 mm

Deck mounted adjustable spout H 115 mm.
Beweglicher Platteeinbau Auslauf H 115 mm.
Caño orientable de repisa H 115 mm.
Bec orientable sur plan H 115 mm.



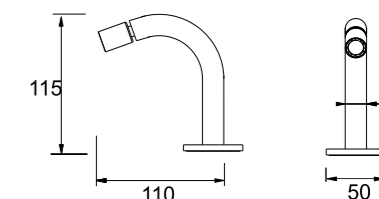
PG206-SA

PG206-LU

PG206-S-PVD

PG206-L-PVD

RA -rame/copper bronze GO -british gold GM -nero/gunmetal



IT
SA = Satinato
LU = Lucido
PVD = Colori speciali

DE
SA = Satiniert
LU = Glänzend
PVD = Sonderfarben

EN
SA = Satin
LU = Polished
PVD = Special colour

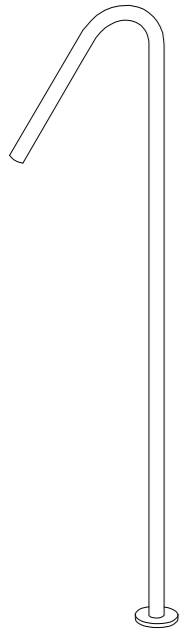
F
SA = Satinée
LU = Poli
PVD = Couleurs spéciales

IT
SA = Satinato
LU = Lucido
PVD = Colori speciali

DE
SA = Satiniert
LU = Glänzend
PVD = Sonderfarben

EN
SA = Satin
LU = Polished
PVD = Special colour

F
SA = Satinée
LU = Poli
PVD = Couleurs spéciales



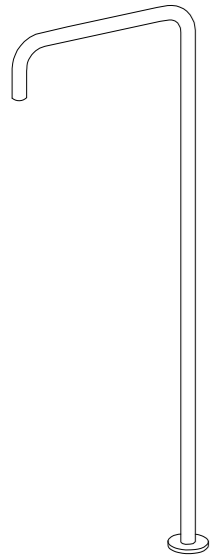
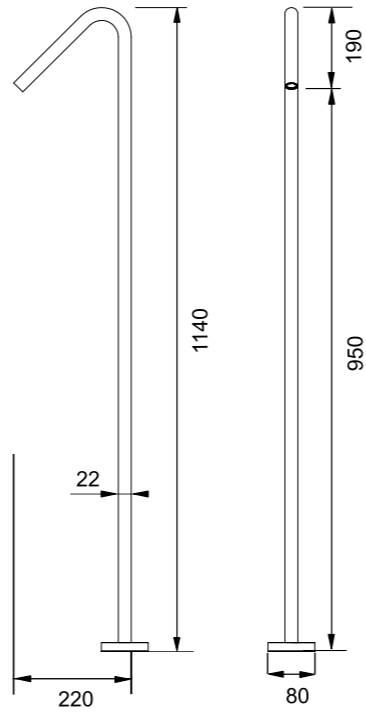
COMPLEMENTS

Canna erogazione lavabo da terra forma a cigno H 1140 mm

Freestanding sink - tub spout H 1140 mm
 Schwanenhalsfoermiger freistehender Auslauf H 1140 mm - Ausladung 220 mm
 Caño a suelo H 1140 mm
 Bec d'écoulement au sol pour lavabo - baignoire en forme de cygne H 1140 mm

PG150-SA
 PG150-LU

PVD NOT AVAILABLE



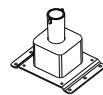
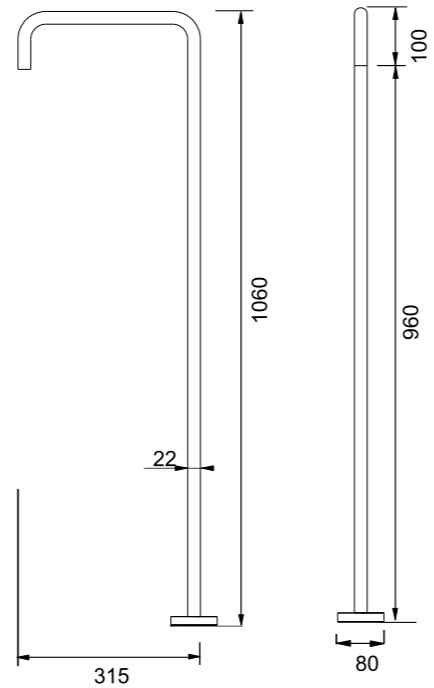
COMPLEMENTS

Canna erogazione lavabo da terra forma quadra H 1060 mm

Freestanding sink spout H 1060 mm
 U-foermiger freistehender Auslauf H 1060 mm - Ausladung 315 mm
 Caño a suelo H 1060 mm
 Bec d'écoulement au sol pour lavabo - baignoire en forme carrée H 1060 mm

PG250-SA
 PG250-LU

PVD NOT AVAILABLE

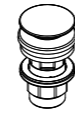
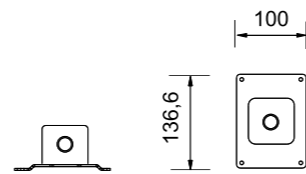


COMPLEMENTS

Corpo incasso bocche lavabo/bidet/vasca a parete

Concealed valve basin - bidet - tub for wall mount spout.
 Unterputz-Einbauteil f. Wandauslauf mit Befestigungsplatte
 Cuerpo empotrado caño de lavabo - bidé - bañera a pared
 Corps encastré bouches lavabo - bidet - baignoire à mur

INC-210

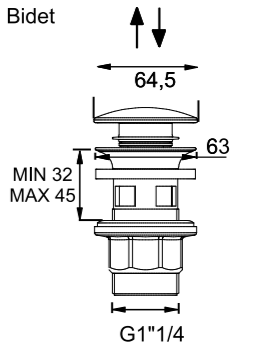


COMPLEMENTS

Piletta chiusura a pressione in ABS con rivestimento coperchio in acciaio inox

Drain pipe fitting with pressure plug in ABS finished in stainless steel.
 Push-Up Ablaufgarnitur aus ABS (Edelstahloptik oder Hockglanzchrom-Optik) f. Waschbecken und Bidet
 Válvula de desague a presión klik-clak en ABS, acabado en cromo brillo o acero satinado
 Raccord complet avec vidage à pression klik-clak en ABS chromé brillant ou acier satiné

PIL01-SA
 PIL01-LU

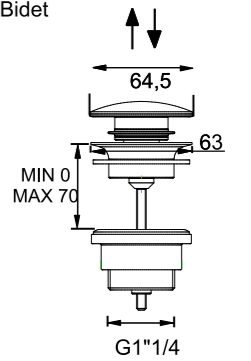


COMPLEMENTS

Piletta chiusura a pressione in ABS con rivestimento coperchio in acciaio inox

Drain pipe fitting with pressure plug in ABS finished in stainless steel.
 Push-Up Ablaufgarnitur aus ABS (Edelstahloptik oder Hockglanzchrom-Optik) f. Waschbecken und Bidet
 Válvula de desague a presión klik-clak en ABS, acabado en cromo brillo o acero satinado
 Raccord complet avec vidage à pression klik-clak en ABS chromé brillant ou acier satiné

PIL02-SA
 PIL02-LU



COMPLEMENTS

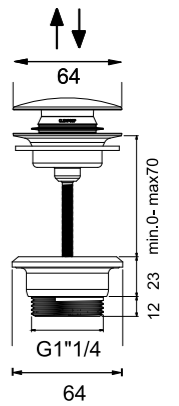
Piletta chiusura a pressione totalmente in acciaio inox

Drain pipe fitting with pressure plug in stainless steel.
 Ablaufventil mit Klickverschluss für Waschbecken und Bidet. Stöpsel und Körper aus Edelstahl AISI 316.
 Válvula de desague a presión klik-clak en acero.
 Raccord complet avec vidage à pression klik-clak en acier.

PIL03-SA
 PIL03-LU

PIL03-S-PVD
 PIL03-L-PVD

RA -rame/copper bronze GO -british gold GM -nero/gunmetal



IT
 SA = Satinato
 LU = Lucido
 PVD = Colori speciali

DE
 SA = Satiniert
 LU = Glänzend
 PVD = Sonderfarben

EN
 SA = Satin
 LU = Polished
 PVD = Special colour

F
 SA = Satinée
 LU = Poli
 PVD = Couleurs spéciales

IT
 SA = Satinato
 LU = Lucido
 PVD = Colori speciali

DE
 SA = Satiniert
 LU = Glänzend
 PVD = Sonderfarben

EN
 SA = Satin
 LU = Polished
 PVD = Special colour

F
 SA = Satinée
 LU = Poli
 PVD = Couleurs spéciales



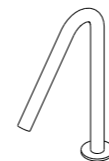
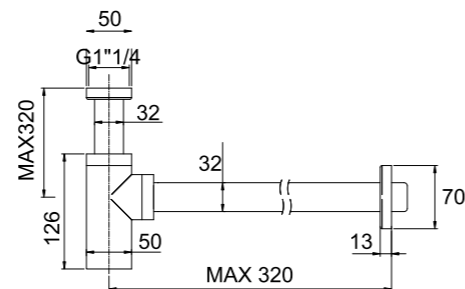
COMPLEMENTS

Sifone per lavabo in acciaio inox
Siphon for washbasin in stainless steel
Geruchsverschluss für Waschbecken aus Edelstahl AISI 304
Sifón para lavabo en acero inoxidable AISI 304
Siphon pour lavabo en acier inox AISI 304

SIF01-SA
SIF01-LU

SIF01-S-PVD
SIF01-L-PVD

RA -rame/copper bronze GO -british gold GM -nero/gunmetal



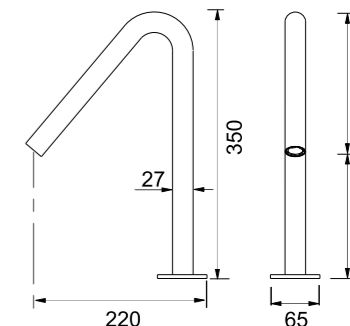
COMPLEMENTS

Canna erogazione bordo vasca forma cigno Ø 27 H 350 mm
Cane dispensing tubside swan shape D. 27 H 350 mm
Schwanenhalsfoermiger-Auslauf f. Wannenrand H 350 mm Durchm. 27 mm
Caño bañera forma de cisne D. 27 H 350 mm
Canne bord baignoire forme de cygne D. 27 H 350 mm

PG535-SA
PG535-LU

PG535-S-PVD
PG535-L-PVD

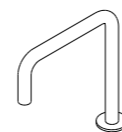
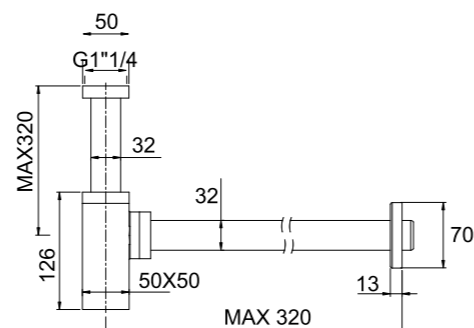
RA -rame/copper bronze GO -british gold GM -nero/gunmetal



COMPLEMENTS

Sifone per lavabo in acciaio inox
Siphon for washbasin in stainless steel
Geruchsverschluss für Waschbecken aus Edelstahl AISI 304
Sifón para lavabo en acero inoxidable AISI 304
Siphon pour lavabo en acier inox AISI 304

SIF02-SA
SIF02-LU



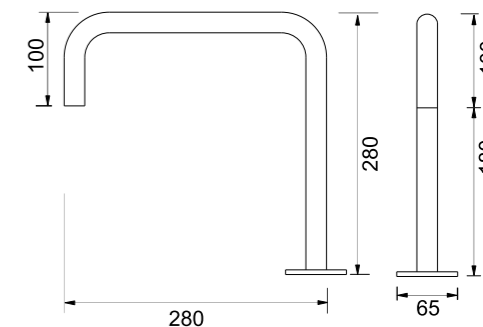
COMPLEMENTS

Canna erogazione bordo vasca forma quadra Ø 27 H 280 mm
Cane dispensing tubside square shape D. 27 H 280 mm
U-foermiger Auslauf f. Wannenrand - Durchm. 27 mm H 280 mm
Caño bañera forma cuadrada D. 27 H 280 mm
Canne bord baignoire forme carrée D. 27 H 280 mm

PG525-SA
PG525-LU

PG525-S-PVD
PG525-L-PVD

RA -rame/copper bronze GO -british gold GM -nero/gunmetal



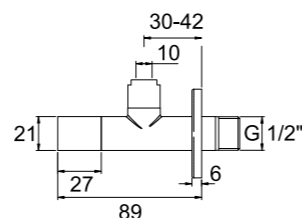
COMPLEMENTS

Rubinetto sottolavabo con filtro
Deck mounted square neck basin spout H 350 mm
U-foermiger Auslauf H 350 mm - Ausladung 280 mm
Caño repisa en forma cuadrada H 350 mm
Bouche lavabo soutien forme carrée H 350 mm

RA10-SA
RA10-LU

RA10-S-PVD
RA10-L-PVD

RA -rame/copper bronze GO -british gold GM -nero/gunmetal



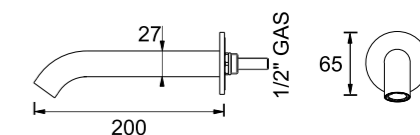
COMPLEMENTS

Bocca erogazione vasca incasso a parete D. 27 P. 200 mm
Wall mount bath spout D. 27 P.200 mm
Wandauslauf - Durchmesser 27 mm - Ausladung 200 mm
Caño de bañera de pared D. 27 P.200 mm
Bec baignoire mur D.27 P.200 mm

PG215-SA
PG215-LU

PG215-S-PVD
PG215-L-PVD

RA -rame/copper bronze GO -british gold GM -nero/gunmetal



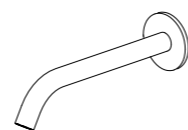
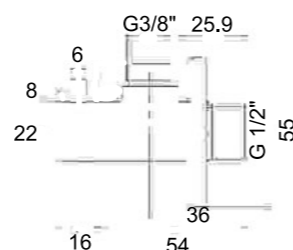
COMPLEMENTS

Rubinetto sottolavabo ECO
Deck mounted square neck basin spout H 400 mm
U-foermiger Auslauf H 400 mm - Ausladung 280 mm
Caño repisa en forma cuadrada H 400 mm
Bouche lavabo soutien forme carrée H 400 mm

RA11-SA
RA11-LU

RA11-S-PVD
RA11-L-PVD

RA -rame/copper bronze GO -british gold GM -nero/gunmetal



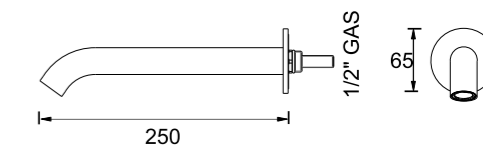
COMPLEMENTS

Bocca erogazione vasca incasso a parete D. 27 P. 250 mm
Wall mount bath spout D. 27 P.250 mm
Wandauslauf - Durchmesser 27 mm - Ausladung 250 mm
Caño de bañera de pared D. 27 P.250 mm
Bec baignoire mur D.27 P.250 mm

PG217-SA
PG217-LU

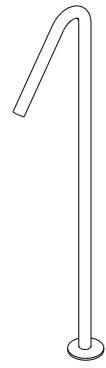
PG217-S-PVD
PG217-L-PVD

RA -rame/copper bronze GO -british gold GM -nero/gunmetal



IT	DE	EN	F
SA = Satinato	SA = Satiniert	SA = Satin	SA = Satinée
LU = Lucido	LU = Glaenzend	LU = Polished	LU = Poli
PVD = Colori speciali	PVD = Sonderfarben	PVD = Special colour	PVD = Couleurs spéciales

IT	DE	EN	F
SA = Satinato	SA = Satiniert	SA = Satin	SA = Satinée
LU = Lucido	LU = Glaenzend	LU = Polished	LU = Poli
PVD = Colori speciali	PVD = Sonderfarben	PVD = Special colour	PVD = Couleurs spéciales

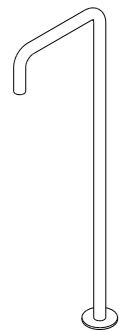
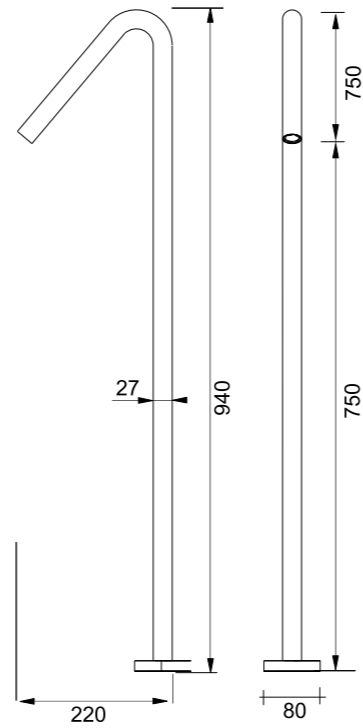


COMPLEMENTS

Canna erogazione vasca da pavimento forma a cigno H 940 mm
 Cane bathtub floor swan shape H 940 mm
 Schwanenhalsfoermiger freistehender Auslauf H 940 mm Durchm. 27 mm
 Caño bañera forma de cisne H 940 mm
 Roseau baignoire sol en forme de cygne H 940 mm

PG540-SA
 PG540-LU

PVD NOT AVAILABLE

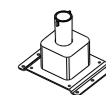
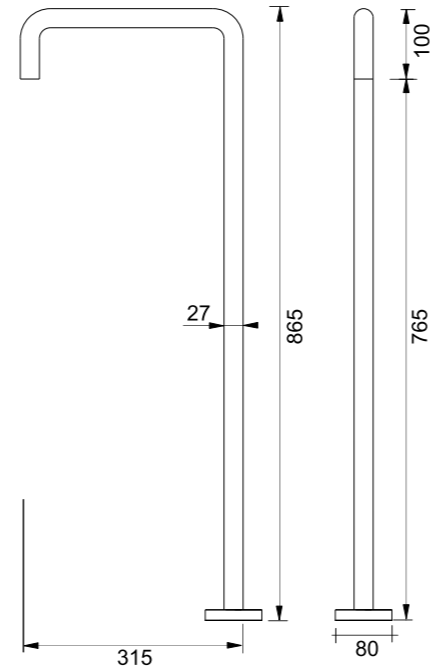


COMPLEMENTS

Canna erogazione vasca da pavimento forma quadra H 865 mm
 Cane bathtub floor square shape H 865 mm
 U-foermiger freistehender Auslauf H 865 mm Durchm.
 Caño bañera forma cuadrada H 865 mm
 Roseau baignoire sol forme carrée H 865 mm

PG530-SA
 PG530-LU

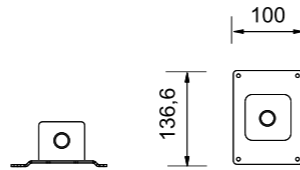
PVD NOT AVAILABLE



COMPLEMENTS

Corpo incasso bocche lavabo/bidet/vasca a parete
 Concealed valve basin - bidet - tub for wall mount spout.
 Unterputz-Einbauteil f. Wandauslauf mit Befestigungsplatte
 Cuerpo empotrado caño de lavabo - bidé - bañera a pared
 Corps encastré bouches lavabo - bidet - baignoire à mur

INC-210

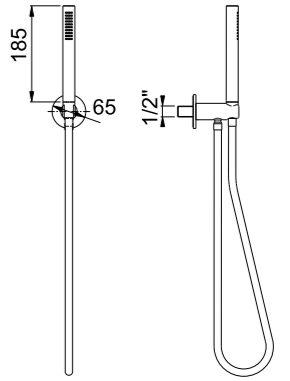
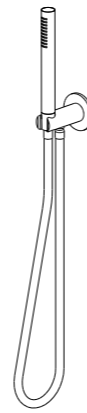


COMPLEMENTS

Doccetta a stilo completa attacco a parete c/flessibile a molla inox
 Shower hand complete wall connection
 Handbrause komplett mit Wandbefestigung
 Ducha completa con montaje en pared
 Douche complète avec support mural et flexible à ressort en inox

PG117-SA
 PG117-LU

PVD NOT AVAILABLE



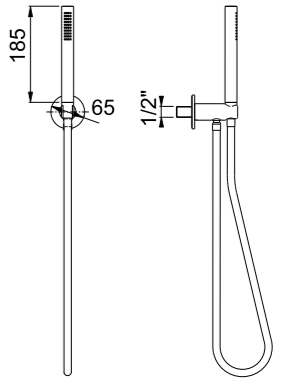
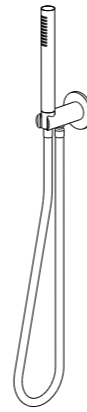
COMPLEMENTS

Doccetta a stilo completa attacco a parete c/flessibile silicone
 Shower hand complete wall connection
 Handbrause komplett mit Wandbefestigung
 Ducha completa con montaje en pared
 Douche complète avec support mural et flexible en silicone

PG119-SA
 PG119-LU

PG119-S-PVD
 PG119-L-PVD

RA -rame/copper bronze GO -british gold GM -nero/gunmetal

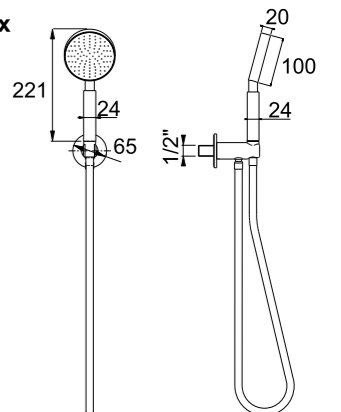
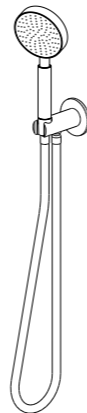


COMPLEMENTS

Doccetta rotonda 100 mm completa attacco a parete c/flessibile a molla inox
 Shower hand complete wall connection
 Handbrause komplett mit Wandbefestigung
 Ducha completa con montaje en pared
 Douche complète avec support mural et flexible en silicone

PG120-SA
 PG120-LU

PVD NOT AVAILABLE

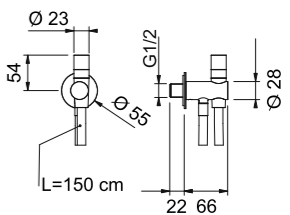
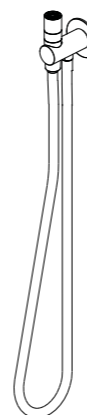


COMPLEMENTS

Doccetta a parete DUPLEX completa di flessibile inox
 Shower hand complete wall connection
 Handbrause komplett mit Wandbefestigung
 Ducha completa con montaje en pared
 Douche complète avec support mural et flexible en inox

PG118-SA

PVD NOT AVAILABLE



IT
 SA = Satinato
 LU = Lucido
 PVD = Colori speciali

DE
 SA = Satiniert
 LU = Glaenzend
 PVD = Sonderfarben

EN
 SA = Satin
 LU = Polished
 PVD = Special colour

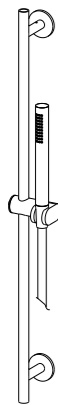
F
 SA = Satinée
 LU = Poli
 PVD = Couleurs spéciales

IT
 SA = Satinato
 LU = Lucido
 PVD = Colori speciali

DE
 SA = Satiniert
 LU = Glaenzend
 PVD = Sonderfarben

EN
 SA = Satin
 LU = Polished
 PVD = Special colour

F
 SA = Satinée
 LU = Poli
 PVD = Couleurs spéciales



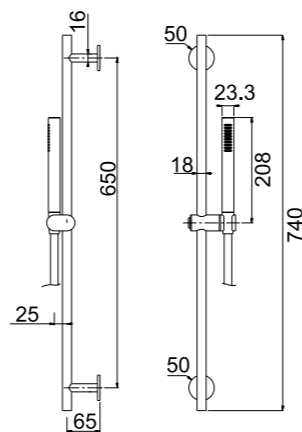
COMPLEMENTS

Asta saliscendi con supporto conico per doccia - 60 cm

Shower slide bar with cone-shaped bracket for hand shower - 60 cm
 Duschestage mit Konischer handbrausehalterung für handbrause - 60 cm
 Barra de ducha con soporte cónico para teleducha - 60 cm
 Barre de douche avec support conique pour douchette - 60 cm

PG125-SA
 PG125-LU

PVD NOT AVAILABLE



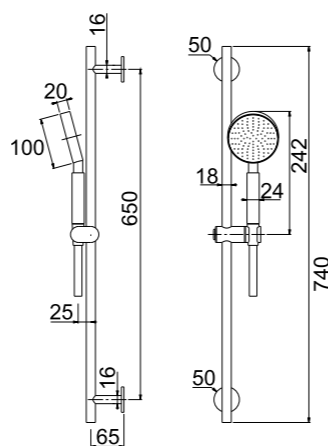
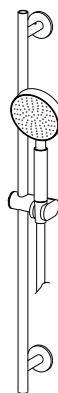
COMPLEMENTS

Asta saliscendi con supporto conico per doccia - 90 cm

Shower slide bar with cone-shaped bracket for hand shower - 90 cm
 Duschestage mit Konischer handbrausehalterung für handbrause - 90 cm
 Barra de ducha con soporte cónico para teleducha - 90 cm
 Barre de douche avec support conique pour douchette - 90 cm

PG126-SA
 PG126-LU

PVD NOT AVAILABLE



COMPLEMENTS

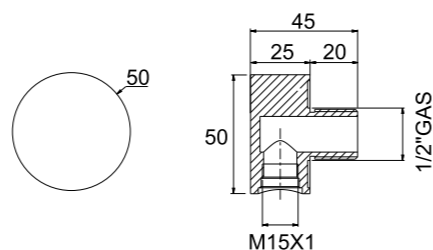
Presacqua

Water connection
 Wasseranschluß
 Toma de agua
 Prise d'eau

PG90-SA
 PG90-LU

PG90-S-PVD
 PG90-L-PVD

RA -rame/copper bronze GO -british gold GM -nero/gunmetal



COMPLEMENTS

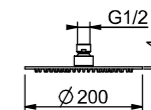
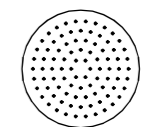
Soffione doccia cilindrico 200 mm

Shower head cylindrical 200 mm
 Regendusche Durchm. 200 mm mit Entkalkungssystem
 Rociador ducha cilindrico 200 mm
 Tête de douche cylindrique 200 mm

PG330-SA
 PG330-LU

PG330-S-PVD
 PG330-L-PVD

RA -rame/copper bronze GO -british gold GM -nero/gunmetal



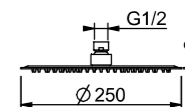
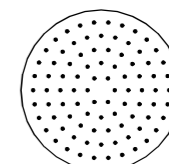
COMPLEMENTS

Soffione doccia cilindrico 250 mm

Shower head cylindrical 250 mm
 Regendusche Durchm. 250 mm mit Entkalkungssystem
 Rociador ducha cilindrico 250 mm
 Tête de douche cylindrique 250 mm

PG325-SA
 PG325-LU

PVD NOT AVAILABLE



COMPLEMENTS

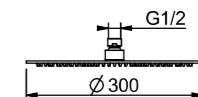
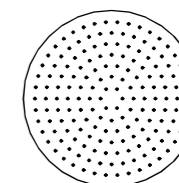
Soffione doccia cilindrico 300 mm

Shower head cylindrical 300 mm
 Regendusche Durchm. 300 mm mit Entkalkungssystem
 Rociador ducha cilindrico 300 mm
 Tête de douche cylindrique 300 mm

PG334-SA
 PG334-LU

PG334-S-PVD
 PG334-L-PVD

RA -rame/copper bronze GO -british gold GM -nero/gunmetal



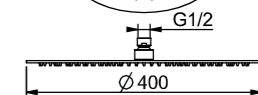
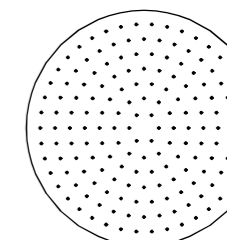
COMPLEMENTS

Soffione doccia cilindrico 400 mm

Shower head cylindrical 400 mm
 Regendusche Durchm. 400 mm mit Entkalkungssystem
 Rociador ducha cilindrico 400 mm
 Tête de douche cylindrique 400 mm

PG340-SA
 PG340-LU

PVD NOT AVAILABLE



IT	DE	EN	F
SA = Satinato	SA = Satiniert	SA = Satin	SA = Satinée
LU = Lucido	LU = Glaenzend	LU = Polished	LU = Poli
PVD = Colori speciali	PVD = Sonderfarben	PVD = Special colour	PVD = Couleurs spéciales

IT	DE	EN	F
SA = Satinato	SA = Satiniert	SA = Satin	SA = Satinée
LU = Lucido	LU = Glaenzend	LU = Polished	LU = Poli
PVD = Colori speciali	PVD = Sonderfarben	PVD = Special colour	PVD = Couleurs spéciales

COMPLEMENTS

Soffione doccia cilindrico 200 mm ISPEZIONABILE c/viti di fissaggio

INSPECTED Shower head cylindrical 200 mm with fixing screws
Regendusche Durchm. 200 mm mit Entkalkungssystem
Rociador ducha cilindrico 200 mm INSPECCIONADO con tornillos de fijación
Tête de douche cylindrique 200 mm INSPECTEE avec visse de fixation

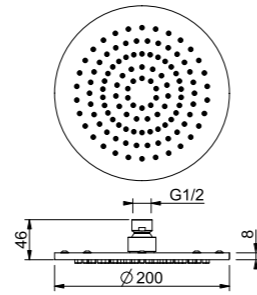
PG331-SA

PG331-LU

PG331-S-PVD

PG331-L-PVD

RA -rame/copper bronze GO -british gold GM -nero/gunmetal



COMPLEMENTS

Soffione doccia cilindrico 300 mm ISPEZIONABILE c/viti di fissaggio

INSPECTED Shower head cylindrical 300 mm with fixing screws
Regendusche Durchm. 300 mm mit Entkalkungssystem
Rociador ducha cilindrico 300 mm INSPECCIONADO con tornillos de fijación
Tête de douche cylindrique 300 mm INSPECTEE avec visse de fixation

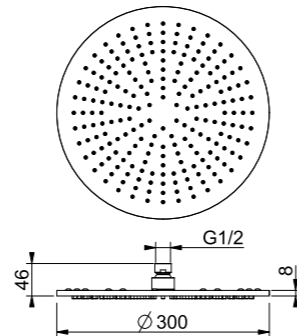
PG335-SA

PG335-LU

PG335-S-PVD

PG335-L-PVD

RA -rame/copper bronze GO -british gold GM -nero/gunmetal



IT
SA = Satinato
LU = Lucido
PVD = Colori speciali

DE
SA = Satiniert
LU = Glaenzend
PVD = Sonderfarben

EN
SA = Satin
LU = Polished
PVD = Special colour

F
SA = Satinée
LU = Poli
PVD = Couleurs spéciales

COMPLEMENTS

Soffione doccia quadrato 200x200 mm

Shower head square 200x200 mm
Regendusche 200x200 mm mit Entkalkungssystem
Rociador ducha cuadrado 200x200 mm
Tête de douche carré 200x200 mm

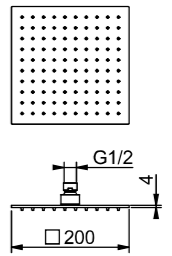
PG420-SA

PG420-LU

PG420-S-PVD

PG420-L-PVD

RA -rame/copper bronze GO -british gold GM -nero/gunmetal



COMPLEMENTS

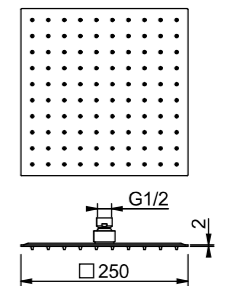
Soffione doccia quadrato 250x250 mm

Shower head square 250x250 mm
Regendusche 250x250 mm mit Entkalkungssystem
Rociador ducha cuadrado 250x250 mm
Tête de douche carré 250x250 mm

PG425-SA

PG425-LU

PVD NOT AVAILABLE



COMPLEMENTS

Soffione doccia quadrato 300x300 mm

Shower head square 300x300 mm
Regendusche 300x300 mm mit Entkalkungssystem
Rociador ducha cuadrado 300x300 mm
Tête de douche carré 300x300 mm

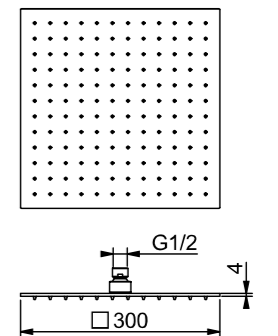
PG430-SA

PG430-LU

PG430-S-PVD

PG430-L-PVD

RA -rame/copper bronze GO -british gold GM -nero/gunmetal



COMPLEMENTS

Soffione doccia quadrato 400x400 mm

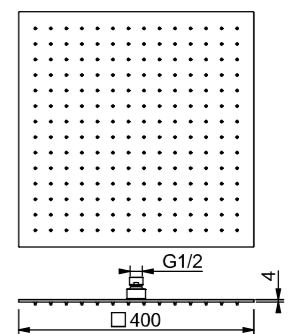
Shower head square 400x400 mm
Regendusche 400x400 mm mit Entkalkungssystem
Rociador ducha cuadrado 400x400 mm
Tête de douche carré 400x400 mm

PG440-SA

PG440-LU

PVD NOT AVAILABLE

RA -rame/copper bronze GO -british gold GM -nero/gunmetal



IT
SA = Satinato
LU = Lucido
PVD = Colori speciali

DE
SA = Satiniert
LU = Glaenzend
PVD = Sonderfarben

EN
SA = Satin
LU = Polished
PVD = Special colour

F
SA = Satinée
LU = Poli
PVD = Couleurs spéciales

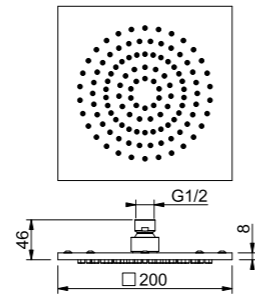
COMPLEMENTS

Soffione doccia quadrato 200x200 mm ISPEZIONABILE c/viti di fissaggio
 INSPECTED Shower head square 200x200 mm with fixing screws
 Regendusche 200x200 mm mit Entkalkungssystem
 Rociador ducha cuadrado 200x200 mm INSPECCIONADO con tornillos de fijación
 Tête de douche carré 200x200 mm INSPECTEE avec visses de fixation

PG421-SA
 PG421-LU

PG421-S-PVD
 PG421-L-PVD

RA -rame/copper bronze GO -british gold GM -nero/gunmetal



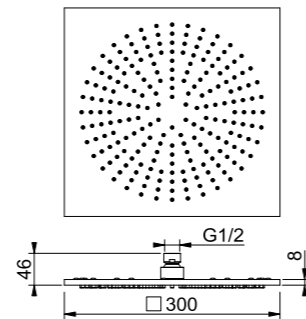
COMPLEMENTS

Soffione doccia quadrato 300x300 mm ISPEZIONABILE c/viti di fissaggio
 INSPECTED Shower head square 300x300 mm with fixing screws
 Regendusche 300x300 mm mit Entkalkungssystem
 Rociador ducha cuadrado 300x300 mm INSPECCIONADO con tornillos de fijación
 Tête de douche carré 300x300 mm INSPECTEE avec visses de fixation

PG431-SA
 PG431-LU

PG431-S-PVD
 PG431-L-PVD

RA -rame/copper bronze GO -british gold GM -nero/gunmetal

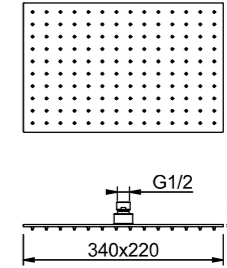


COMPLEMENTS

Soffione doccia rettangolare 220x340 mm
 Shower head rectangular 220x340 mm
 Regendusche rechteckig 220x340 mm mit Entkalkungssystem
 Rociador ducha rectangular 220x340 mm
 Tête de douche rectangulaire 220x340 mm

PG450-SA
 PG450-LU

PVD NOT AVAILABLE

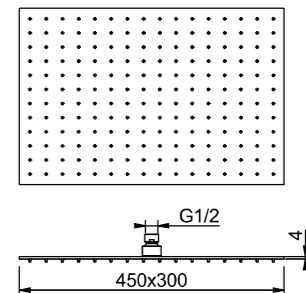


COMPLEMENTS

Soffione doccia rettangolare 300x450 mm
 Shower head rectangular 300x450 mm
 Regendusche rechteckig 300x450 mm mit Entkalkungssystem
 Rociador ducha rectangular 300x450 mm
 Tête de douche rectangulaire 300x450 mm

PG451-SA
 PG451-LU

PVD NOT AVAILABLE

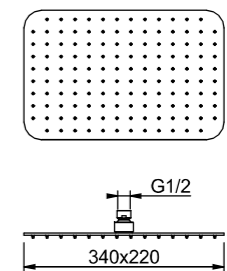


COMPLEMENTS

Soffione doccia rettangolare c/angoli raggiati 220x340 mm
 Shower head rectangular with rounded corners 220x340 mm
 Regendusche rechteckig 220x340 mm mit abgerundeten Ecken und Entkalkungssystem
 Rociador ducha rectangular con esquinas redondeadas 220x340 mm
 Tête de douche rectangulaire avec coins arrondis 220x340 mm

PG460-SA
 PG460-LU

PVD NOT AVAILABLE

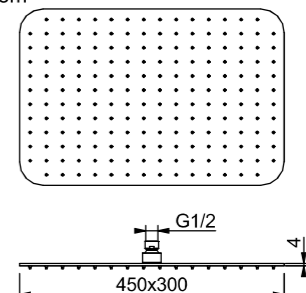


COMPLEMENTS

Soffione doccia rettangolare c/angoli raggiati 300x450 mm
 Shower head rectangular with rounded corners 300x450 mm
 Regendusche rechteckig 300x450 mm mit abgerundeten Ecken und Entkalkungssystem
 Rociador ducha rectangular con esquinas redondeadas 300x450 mm
 Tête de douche rectangulaire avec coins arrondis 300x450 mm

PG461-SA
 PG461-LU

PVD NOT AVAILABLE



IT
 SA = Satinato
 LU = Lucido
 PVD = Colori speciali

DE
 SA = Satiniert
 LU = Glänzend
 PVD = Sonderfarben

EN
 SA = Satin
 LU = Polished
 PVD = Special colour

F
 SA = Satinée
 LU = Poli
 PVD = Couleurs spéciales

IT
 SA = Satinato
 LU = Lucido
 PVD = Colori speciali

DE
 SA = Satiniert
 LU = Glänzend
 PVD = Sonderfarben

EN
 SA = Satin
 LU = Polished
 PVD = Special colour

F
 SA = Satinée
 LU = Poli
 PVD = Couleurs spéciales

COMPLEMENTS

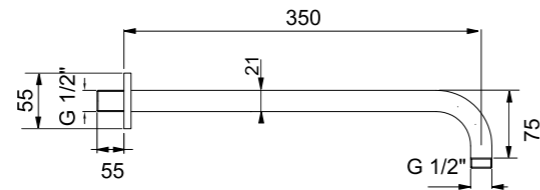
Braccio a parete per soffione doccia L. 350 mm

Wall arm for shower head L. 350 mm
 Duscharm f. Wandmontage Laenge 350 mm
 Brazo de pared para rociador ducha L. 350 mm
 Bras mural pour la tête de douche L. 350 mm

PG480-SA
 PG480-LU

PG480-S-PVD
 PG480-L-PVD

RA -rame/copper bronze GO -british gold GM -nero/gunmetal



COMPLEMENTS

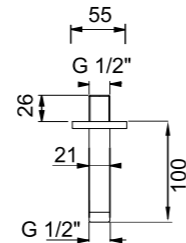
Braccio a soffitto per soffione doccia L. 100 mm

Ceiling arm for shower head L. 100 mm
 Duscharm f. Deckenmontage Laenge 100 mm
 Brazo cielo raso para rociador ducha L. 100 mm
 Bras de plafond pour la tête de douche L. 100 mm

PG490/10-SA
 PG490/10-LU

PG490/10-S-PVD
 PG490/10-L-PVD

RA -rame/copper bronze GO -british gold GM -nero/gunmetal



COMPLEMENTS

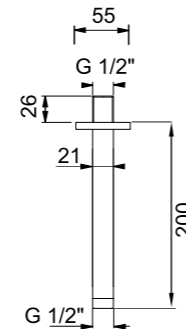
Braccio a soffitto per soffione doccia L. 200 mm

Ceiling arm for shower head L. 200 mm
 Duscharm f. Deckenmontage Laenge 200 mm
 Brazo cielo raso para rociador ducha L. 200 mm
 Bras de plafond pour la tête de douche L. 200 mm

PG490/20-SA
 PG490/20-LU

PG490/20-S-PVD
 PG490/20-L-PVD

RA -rame/copper bronze GO -british gold GM -nero/gunmetal



COMPLEMENTS

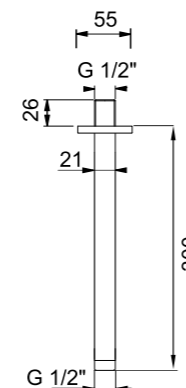
Braccio a soffitto per soffione doccia L. 300 mm

Ceiling arm for shower head L. 300 mm
 Duscharm f. Deckenmontage Laenge 300 mm
 Brazo cielo raso para rociador ducha L. 300 mm
 Bras de plafond pour la tête de douche L. 300 mm

PG490/30-SA
 PG490/30-LU

PG490/30-S-PVD
 PG490/30-L-PVD

RA -rame/copper bronze GO -british gold GM -nero/gunmetal



COMPLEMENTS

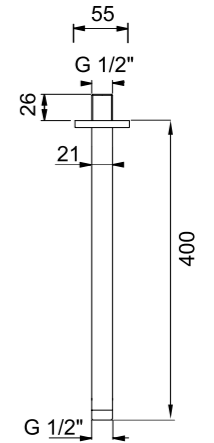
Braccio a soffitto per soffione doccia L. 400 mm

Ceiling arm for shower head L. 400 mm
 Duscharm f. Deckenmontage Laenge 400 mm
 Brazo a techo para rociador ducha L. 400 mm
 Bras de plafond pour la tête de douche L. 400 mm

PG490/40-SA
 PG490/40-LU

PG490/40-S-PVD
 PG490/40-L-PVD

RA -rame/copper bronze GO -british gold GM -nero/gunmetal



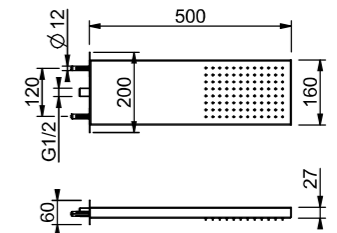
COMPLEMENTS

Soffione doccia rettangolare attacco a parete 500x160 mm

Shower head rectangular wall mount 500x160 mm
 Kopfbrause 500x160 mm - mit direkter Wandbefestigung
 Rociador ducha rectangular montaje en pared 500x160 mm
 Tête de douche rectangulaire attaque mur 500x160 mm

PG470-SA
 PG470-LU

PVD NOT AVAILABLE



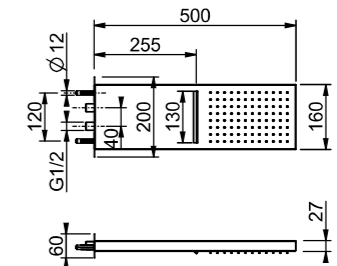
COMPLEMENTS

Soffione doccia rettangolare attacco a parete c/cascata acqua 500x160 mm

Shower head rectangular wall mount with waterfall water 500x160 mm
 Kopfbrause mit Schwalldusche 500x160 mm - mit direkter Wandbefestigung
 Rociador ducha rectangular montaje en pared con agua cascada 500x160 mm
 Tête de douche rectangulaire attaque mur avec de l'eau de la cascade 500x160 mm

PG471-SA
 PG471-LU

PVD NOT AVAILABLE



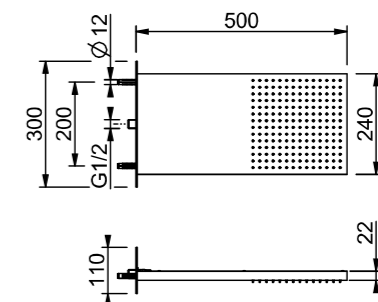
COMPLEMENTS

Soffione doccia rettangolare attacco a parete 500x240 mm

Shower head rectangular wall mount 500x240 mm
 Kopfbrause 500x240 mm - mit direkter Wandbefestigung
 Rociador ducha rectangular montaje en pared 500x240 mm
 Tête de douche rectangulaire attaque mur 500x240 mm

PG472-SA
 PG472-LU

PVD NOT AVAILABLE



IT	DE	EN	F
SA = Satinato	SA = Satiniert	SA = Satin	SA = Satinée
LU = Lucido	LU = Glänzend	LU = Polished	LU = Poli
PVD = Colori speciali	PVD = Sonderfarben	PVD = Special colour	PVD = Couleurs spéciales

IT	DE	EN	F
SA = Satinato	SA = Satiniert	SA = Satin	SA = Satinée
LU = Lucido	LU = Glänzend	LU = Polished	LU = Poli
PVD = Colori speciali	PVD = Sonderfarben	PVD = Special colour	PVD = Couleurs spéciales

COMPLEMENTS

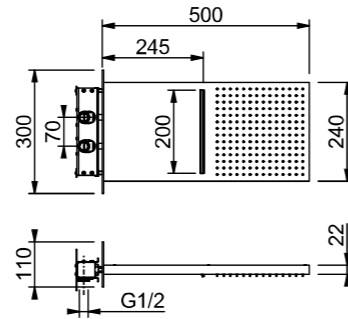
Soffione doccia rettangolare attacco a parete c/cascata acqua 500x240 mm

Shower head rectangular wall mount with waterfall water 500x240 mm
Kopfbrause mit Schwalldusche 500x240 mm - mit direkter Wandbefestigung
Rociador ducha rectangular montaje en pared con agua cascada 500x240 mm
Tête de douche rectangulaire attaque mur avec cascade d'eau 500x240 mm

PG473-SA

PG473-LU

PVD NOT AVAILABLE



COMPLEMENTS

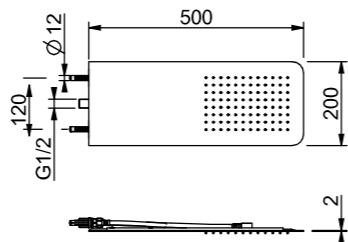
Soffione doccia ultrapiatto rettangolare attacco a parete 500x200 mm

Ultraflat shower head rectangular wall mount 500x200 mm
Flache Kopfbrause 500x160x2 mm - mit direkter Wandbefestigung
Rociador ducha ultraflat rectangular montaje pared 500x200 mm
Tête de douche ultraplate rectangulaire attaque au mur 500x200 mm

PG474-SA

PG474-LU

PVD NOT AVAILABLE



COMPLEMENTS

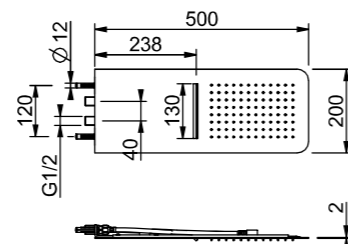
Soffione doccia ultrapiatto rettangolare attacco a parete c/cascata 500x200 mm

Ultraflat shower head rectangular wall mount with waterfall water 500x200 mm
Flache Kopfbrause mit Schwalldusche 500x160x2 mm - mit direkter Wandbefestigung
Rociador ducha ultraflat rectangular montaje pared con agua cascada 500x200 mm
Tête de douche ultraplate rectangulaire attaque au mur avec cascade d'eau 500x200 mm

PG475-SA

PG475-LU

PVD NOT AVAILABLE



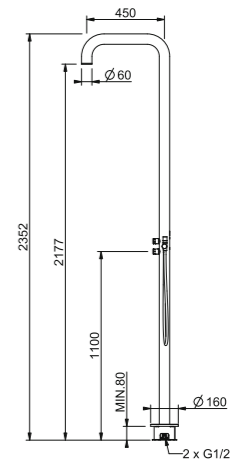
COMPLEMENTS

Colonna doccia da terra c/mix, soffione/doccetta e corpo incasso

Floor shower column with mixer, diverter, showerhead & handshower.
Dusche, Höhe 2352 mm, Ausladung 450 mm, Einhebelmischer, Kopfbrause, Handbrause,
Befestigungselement für Bodenmontage, Inkl. Umstelleer
Columna de ducha desde el suelo con mezclador, rociador ducha, ducha de mano y
cuerpo empotrado
Colonne douche du sol avec mélangeur, tête de douche, douche à main et le corps encastré

PGCOLUMN01-SA

PVD NOT AVAILABLE



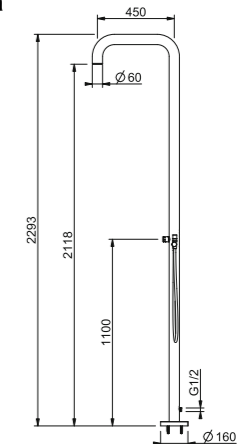
COMPLEMENTS

Colonna doccia da terra c/alimentazione esterna, deviatore, soffione e doccetta

Wall shower column with thermostatic control, diverter, showerhead & handshower.
Dusche, Höhe 2352 mm, Ausladung 450 mm, Umsteller, Kopfbrause, Handbrause, Kaltwasser,
Anschluss
Columna de ducha desde el suelo con alimentación externa, desviador, rociador ducha y
duca de mano
Colonne douche de sol avec alimentation extérieure, deviateur, tête de douche et douchette

PGCOLUMN02-SA

PVD NOT AVAILABLE



IT	DE	EN	F
SA = Satinato	SA = Satiniert	SA = Satin	SA = Satinée
LU = Lucido	LU = Glanzend	LU = Polished	LU = Poli
PVD = Colori speciali	PVD = Sonderfarben	PVD = Special colour	PVD = Couleurs spéciales

IT	DE	EN	F
SA = Satinato	SA = Satiniert	SA = Satin	SA = Satinée
LU = Lucido	LU = Glanzend	LU = Polished	LU = Poli
PVD = Colori speciali	PVD = Sonderfarben	PVD = Special colour	PVD = Couleurs spéciales

COMPLEMENTS

Appendino

Clothes hook
Kleiderhaken
Colgador
Patère



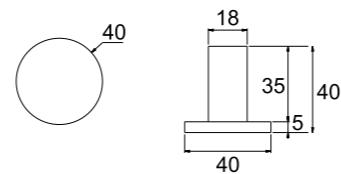
AC-30-SA

AC-30-LU

AC-30-S-PVD

AC-30-L-PVD

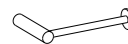
RA -rame/copper bronze GO -british gold GM -nero/gunmetal



COMPLEMENTS

Portarotolo

Toilet-roll holder
Toilettenpapierhalter
Portarollo
Porte-rouleau



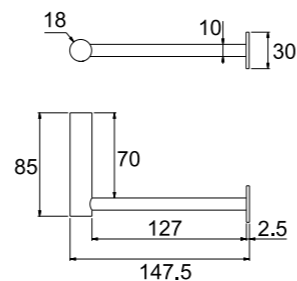
AC-35-SA

AC-35-LU

AC-35-S-PVD

AC-35-L-PVD

RA -rame/copper bronze GO -british gold GM -nero/gunmetal



COMPLEMENTS

Portasalvietta L. 300 cm

Towel rail L. 300 mm
Handtuchhalter Laenge 300 mm
Toallero L. 300 mm
Porte-serviette L. 300 mm



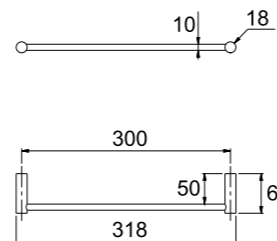
AC-20-SA

AC-20-LU

AC-20-S-PVD

AC-20-L-PVD

RA -rame/copper bronze GO -british gold GM -nero/gunmetal



COMPLEMENTS

Portasalvietta L. 400 cm

Towel rail L. 400 mm
Handtuchhalter Laenge 400 mm
Toallero L. 400 mm
Porte-serviette L. 400 mm



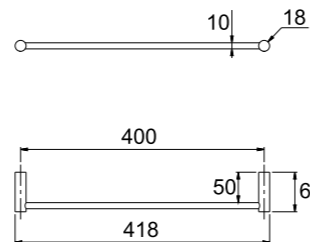
AC-21-SA

AC-21-LU

AC-21-S-PVD

AC-21-L-PVD

RA -rame/copper bronze GO -british gold GM -nero/gunmetal



COMPLEMENTS

Portasalvietta L. 500 cm

Towel rail L. 500 mm
Handtuchhalter Laenge 500 mm
Toallero L. 500 mm
Porte-serviette L. 500 mm



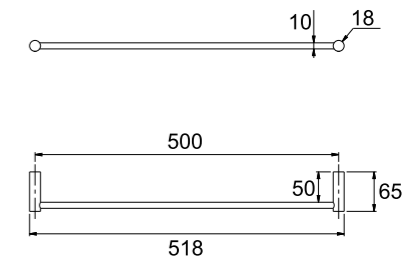
AC-22-SA

AC-22-LU

AC-22-S-PVD

AC-22-L-PVD

RA -rame/copper bronze GO -british gold GM -nero/gunmetal



COMPLEMENTS

Portasalvietta L. 600 cm

Towel rail L. 600 mm
Handtuchhalter Laenge 600 mm
Toallero L. 600 mm
Porte-serviette L. 600 mm



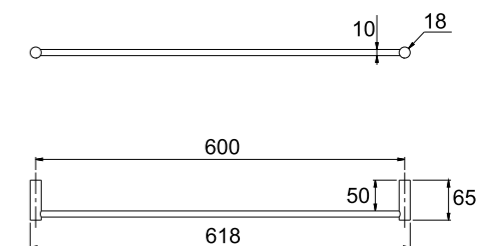
AC-23-SA

AC-23-LU

AC-23-S-PVD

AC-23-L-PVD

RA -rame/copper bronze GO -british gold GM -nero/gunmetal



COMPLEMENTS

Portascopino a pavimento

Free-standing toilet brush holder
Toilettenbürstenhalter am Boden
Escobillero a suelo
Porte-brosse WC au sol



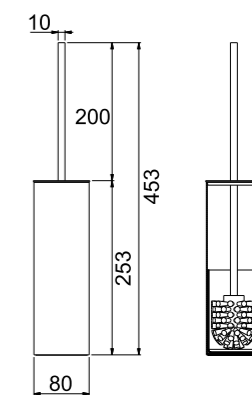
AC-40-SA

AC-40-LU

AC-40-S-PVD

AC-40-L-PVD

RA -rame/copper bronze GO -british gold GM -nero/gunmetal



COMPLEMENTS

Portascopino a pavimento

Free-standing toilet brush holder
Toilettenbürstenhalter am Boden
Escobillero a suelo
Porte-brosse WC au sol



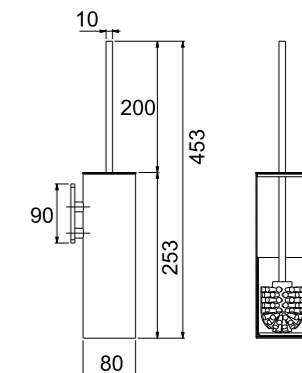
AC-41-SA

AC-41-LU

AC-41-S-PVD

AC-41-L-PVD

RA -rame/copper bronze GO -british gold GM -nero/gunmetal



IT
SA = Satinato
LU = Lucido
PVD = Colori speciali

DE
SA = Satiniert
LU = Glänzend
PVD = Sonderfarben

EN
SA = Satin
LU = Polished
PVD = Special colour

F
SA = Satinée
LU = Poli
PVD = Couleurs spéciales

IT
SA = Satinato
LU = Lucido
PVD = Colori speciali

DE
SA = Satiniert
LU = Glänzend
PVD = Sonderfarben

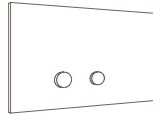
EN
SA = Satin
LU = Polished
PVD = Special colour

F
SA = Satinée
LU = Poli
PVD = Couleurs spéciales

COMPLEMENTS

Placca per cassetta wc doppio pulsante Geberit

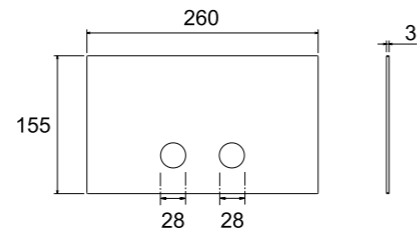
Plate for dual flush Geberit cistern with relief buttons
 Platte für Geberit Spülkasten mit doppeltem Fluss und Relieffknöpfen
 Pulsador para cisterna a 2 flujos Geberit con botones en relieve
 Plaque pour réservoir Geberit à double flux avec boutons en relief



PLA10-SA
 PLA10-LU

PLA10-S-PVD
 PLA10-L-PVD

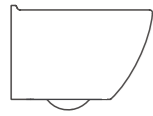
RA -rame/copper bronze GO -british gold GM -nero/gunmetal



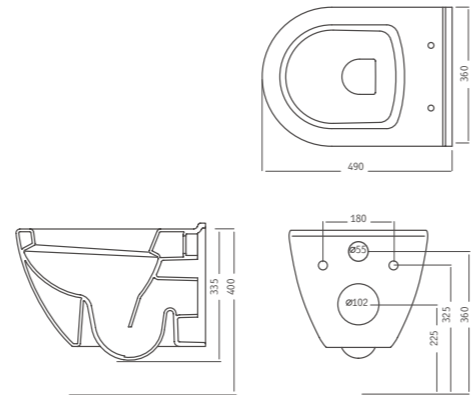
COMPLEMENTS

L1

Vaso in ceramica lucida, sospeso con scarico a parete e sistema senza brida, completo di sedile FLAT con chiusura rallentata "soft-close".
 High gloss suspended ceramic water closet with wall drain and washdown rimless flushing, complete with seat and cover FLAT and soft closing hinges.



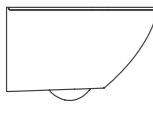
WC LU
 SOFT CLOSE LU



COMPLEMENTS

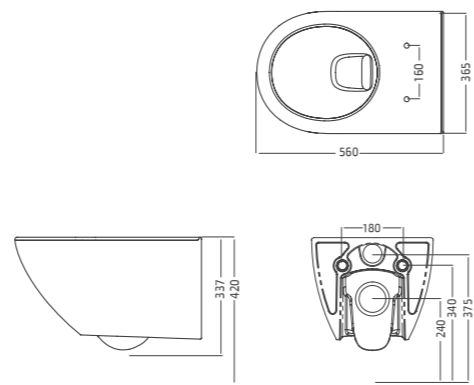
L2

Vaso in ceramica lucida o satinata, sospeso con scarico a parete e sistema senza brida, completo di sedile FLAT con chiusura rallentata "soft-close".
 High gloss/satin suspended ceramic water closet with wall drain and washdown rimless flushing, complete with seat and cover FLAT and soft closing hinges.



WC LU
 SOFT CLOSE LU

WC SA
 SOFT CLOSE SA



IT
 SA = Satinato
 LU = Lucido
 PVD = Colori speciali

DE
 SA = Satiniert
 LU = Glänzend
 PVD = Sonderfarben

EN
 SA = Satin
 LU = Polished
 PVD = Special colour

F
 SA = Satinée
 LU = Poli
 PVD = Couleurs spéciales